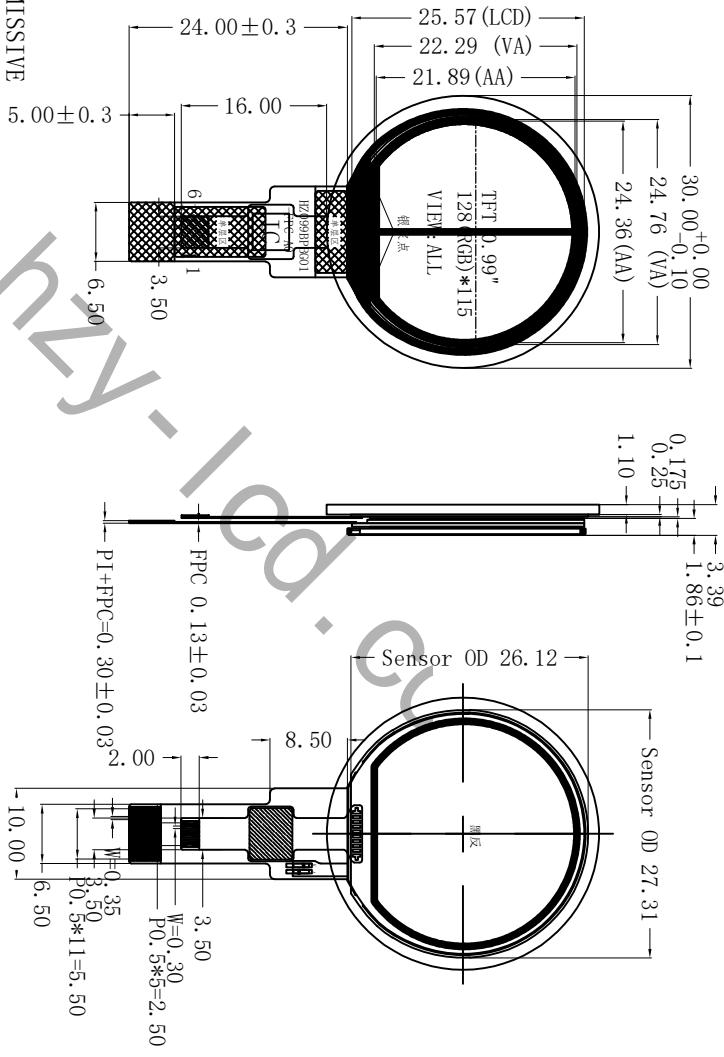


Revision	Description	Date	Signed
A0	First	24.07.22	Pengliz



TFT:

PIN	NAME
1	GND
2	LEDK
3	LEDA
4	VDD
5	GND
6	GND
7	D/C
8	CS
9	SCL
10	SDA
11	RESET
12	GND

CTP:

PIN定义	
1	RST
2	VDD3.3V
3	INT
4	SDA
5	SCL
6	GND

1. DISPLAY TYPE:0.99" TFT, TRANSMISSIVE
2. DRIVER IC:GC9107E\$;COMPATIBLE
3. VIEWING DIRECTION: ALL
4. BACKLIGHT: 2 pcs White LED
5. BRIGHTNESS: -cd/m2(TYP)
6. INPUT CURRENT: VCC 2.8V(TYP)
7. OPERATING TEMP: -20° C ~ +70° C
8. STORAGE TEMP: -30° C ~ +80° C
9. UNDEFINED DIMENSION TOLERANCE: ±0.2mm
10. ROHS COMPLIABLY

要求说明:

结构: GF CST816D

1. 材质: 旭硝子 1.1 & ≥7H (750g)

2. VA区透光率: ≥87%

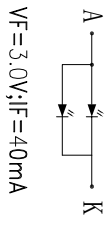
3. 工作/存储温度: 工作温度: -20° ~ +70° ; 存储温度: -30° ~ +70°

4. 钢球冲击能量: 50g钢球, 50cm 高度V.A. 中心点3次, 无破损;

5. 达因值: CG背面达因能≥32dyn, Film表面≥30dyn;

6. 油墨使用哑黑油墨

BACKLIGHT CIRCUIT DIAGRAM




深圳市华之洋光电科技有限公司
 SHENZHEN HZY PHOTOELECTRIC TECHNOLOGY CO., LTD

Customer Ref.	Model No.	Drawing Title	Material	Unmarked Tolerance	Unit	Scale	Page
---	---	HZ099BPPBG01C-A0	LCM	±0.2	mm	--	1 of 1
Part No.	Approve	Checked	Draw	Pengliz	Date	2024.07.22	Rev 00
---	---	---	---	---	---	---	---