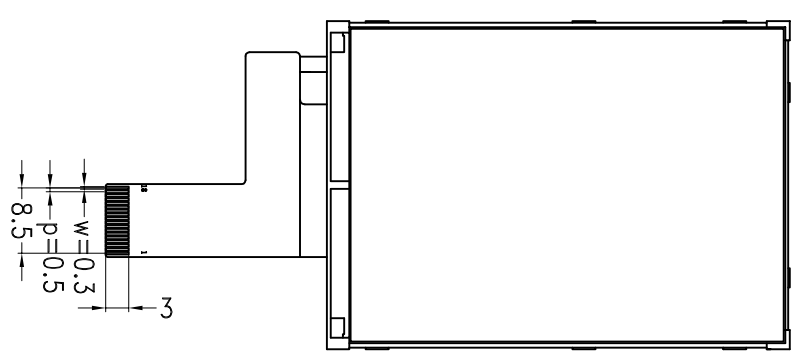
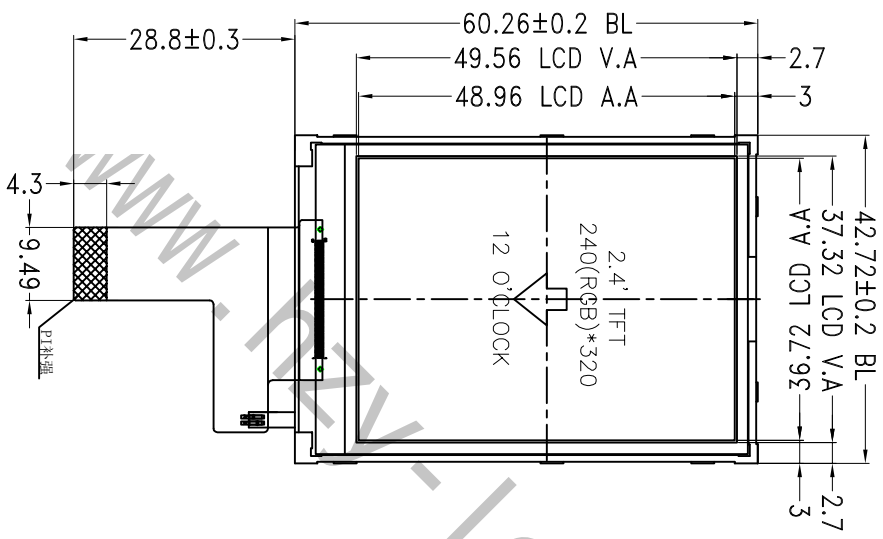


ROSH

Revision	Description	Date	Signed
01	First	2021.08.31	YP

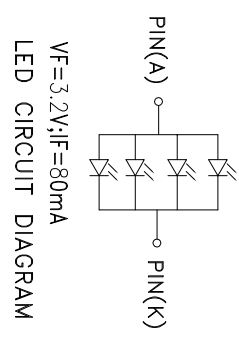


PIN	SYMBOL
1	GND
2	RESET
3	SCL
4	RS
5	CS
6	SDA
7	SDO
8	GND
9	VCI
10	LEDA
11	LEDK1
12	LEDK2
13	LEDK3
14	LEDK4
15	NC
16	NC
17	NC
18	NC

4SPI

NOTES:

1. DISPLAY TYPE: 2.4" TFT, TRANSMISSIVE
2. DRIVER IC: GC9306X
3. VIEWING DIRECTION: 12 0' CLOCK
4. BACKLIGHT: 4 pcs White LED
5. INPUT CURRENT: VCC 2.8V (type)
6. OPERATING TEMP: -20 °C ~ +70 °C
7. STORAGE TEMP: -30 °C ~ +80 °C
8. UNDEFINED DIMENSION TOLERANCE: ±0.2mm
9. ROHS COMPLIABLY



深圳市华之洋光电科技有限公司  
Shenzhen HZY Photoelectric Technology Co., Ltd

Customer Ref.	Model No.	Drawing Title	Unmarked Tolerance	Unit	Scale	Page
---	Approve	HZ024QTCG01-A0	±0.2	mm	--	1 of 1
Part No.	Checked	Material	LCM	Date	2021.06.18	Rev 00
---	Draw	YP				